

**Powerful
Portable Cooling**



Powerful Cooling

The all new Master Blaster by PMI is an industrial strength portable evaporative air cooler designed to make cooling large areas a breeze.

Anywhere You Need It

Master Blaster is ideal for Factories, Greenhouses, Outdoor Activities and under tent events, Weddings, Backyard Parties, In the Garage, On the patio, Automotive workshops and just about anywhere you need more cooling.

MB36
10,000 cfm
3/4 HP - 2 spd



MB24
6,500 cfm
1/2 HP - 2 spd



- **No Assembly Required**
Ready to go right out of the box

- **Quiet Operation**
The fan blades are engineered to produce more air with less noise.

- **2-Speed Motor**
Simple two-speed switch with separate pump switch.

- **Rigid Media**
8" thick rigid media cooling pads for efficient cooling and long-lasting performance

Two Sizes

The Master Blaster is available in two sizes to fit your needs. The MB36 is designed to push more air and cool indoor or outdoor spaces making it ideal for outdoor events, large factories and work spaces. The smaller but still powerful MB24 can be placed just about anywhere and is perfect for the patio, garage or even under the event tents at your next party.



Factories

Area cooling for assembly lines, fulfillment facilities, warehouses, manufacturing plants, any industrial facility setting.



Stables & Ranches

With it's quiet operation, Master Blaster is perfect for use with animals. Perfect for farms, zoos, indoors or outdoors and so much more.



Durable Fan Blades

Die-stamped steel fan blades with durable epoxy coating for worry free operation.

Rigid Media

8" Rigid Media for high-efficiency cooling



Ultra Quiet high-Speed Performance

Even on high speed, the Master Blaster is extremely quiet, making it perfect for gatherings in tight places such as tents and enclosure.

Sturdy Handles

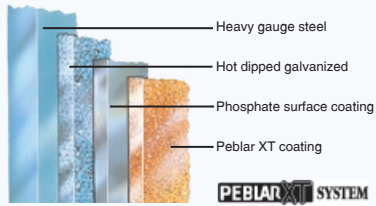
For easy mobility

Continuous Fill

Includes Garden Hose Adapter for extended run time.



Exclusive Peblar XT Finish



Locking Castors

Keeps the cooler firmly in place.

18.5 ft Cord

No need for an extra extension cord.



S

Master is great
ams, kennels,
ch more...



Automotive

Workshops, garages, driveways, rental car returns, mechanic shops etc...

Master Blaster Portable Coolers:

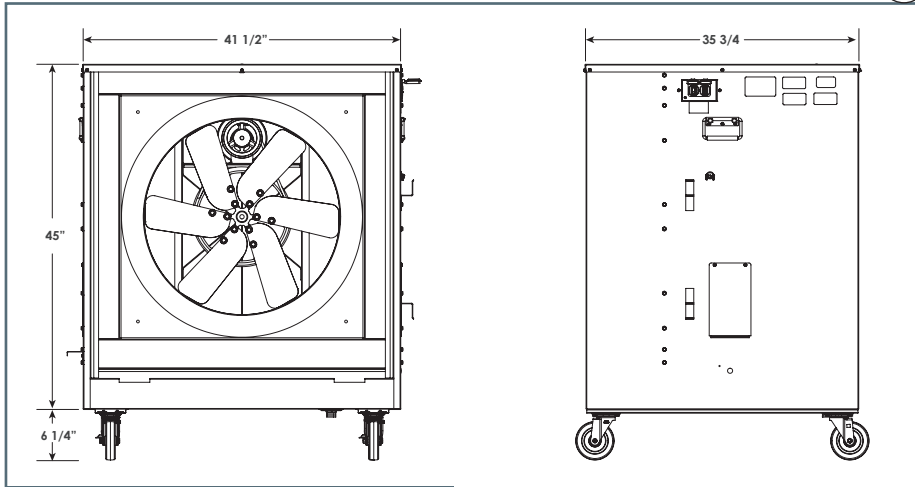


Chassis Features

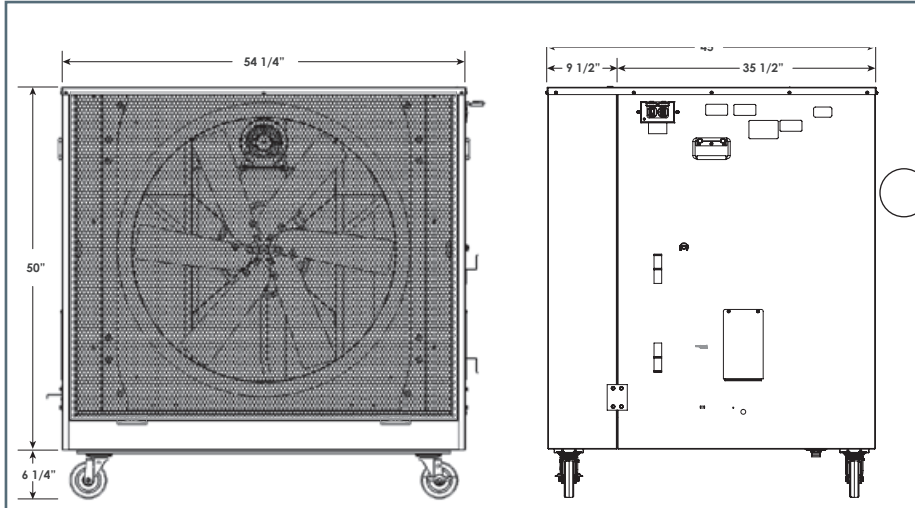
- All Steel Construction
- Exclusive PMI Peblar XT Finish
- 18.5ft Power Cord
- Heavy Duty Castors - 2 Locking
- 2-Speed Operation
- Fully Assembled

Fan Features

- Licensed for Sound & Air Performance
- UL Listed for Standard 705
- Die-formed steel propeller blades
- Welded steel fan panel with cross-frame support
- Epoxy finish
- "C-Drive" unique bearing and shaft assembly
- L10 life exceeding 300,000 hours



MB24 6,500 cfm
1/2 HP - 2 spd



MB36 10,000 cfm
3/4 HP - 2 spd

Master Blaster

Model Number	Overall Size			Weight	
	Height	Width	Depth	Ship	Oper.
MB24	51 5/8	41 1/2	35 3/4	260	305
MB36	56 1/8	55	45	370	437



Phoenix Manufacturing Inc.
3655 East Roeser Road
Phoenix, Arizona 85040
Phone: 602-437-1034
Fax: 602-437-4833

